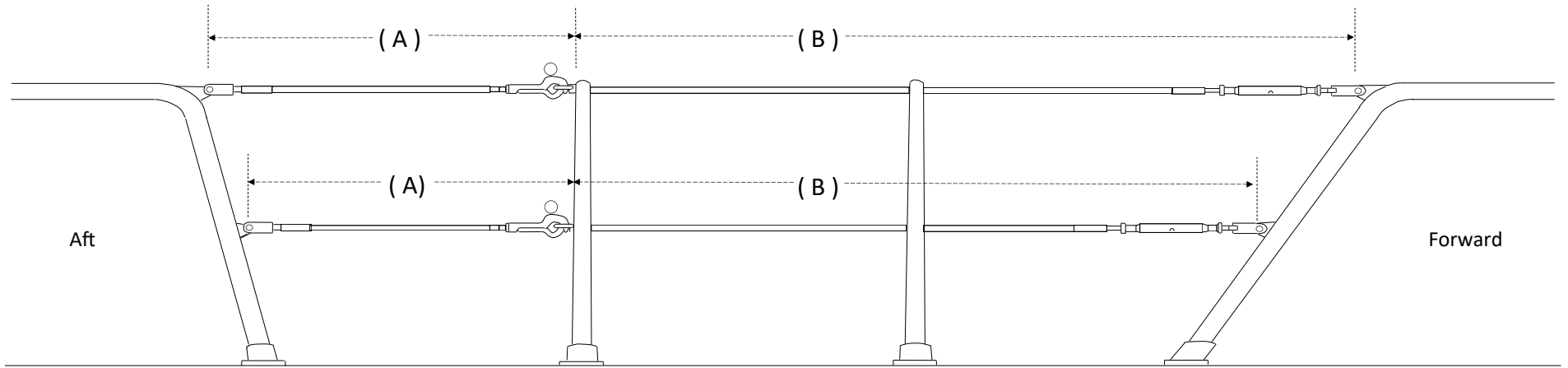


## Measuring for Lifeline Replacement

**We can replicate your lifelines in one of two ways:**

- By you shipping your lifelines to us, where we would then replicate it by laying each section on our bench to get the measurements needed. This is usually the best way and can reduce a certain amount of confusion and mistakes.
- By taking the measurements needed yourself and filling out the supplied table. Please follow the given directions for measuring your rigging. All lifelines will be made to the measurements that you provide to us. Please take all precautions to take accurate measurements as there is no returns on standing rigging or lifelines that is not measured by our rigging department.

## Aft Gate

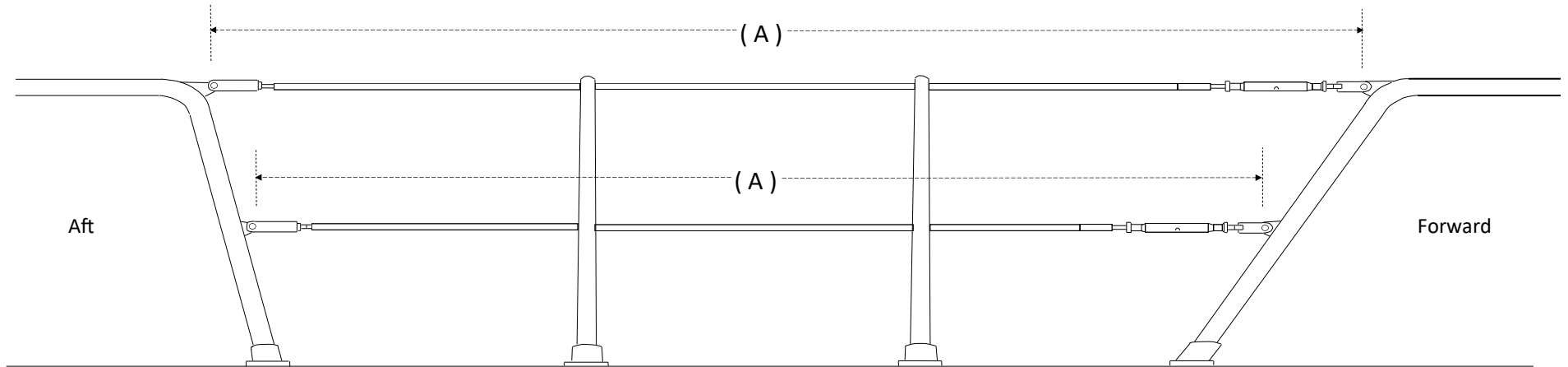


A = Distance from bearing surface of stern eye to the bearing surface of the aft gate stanchion.

B = Distance between the aft gate stanchion bearing surface and bearing surface of the bow eye.

		Wire Dia.	A Dimension	B Dimension	Notes/ Part #'s
Top Wire	Starboard				
	Port				
Bottom Wire	Starboard				
	Port				

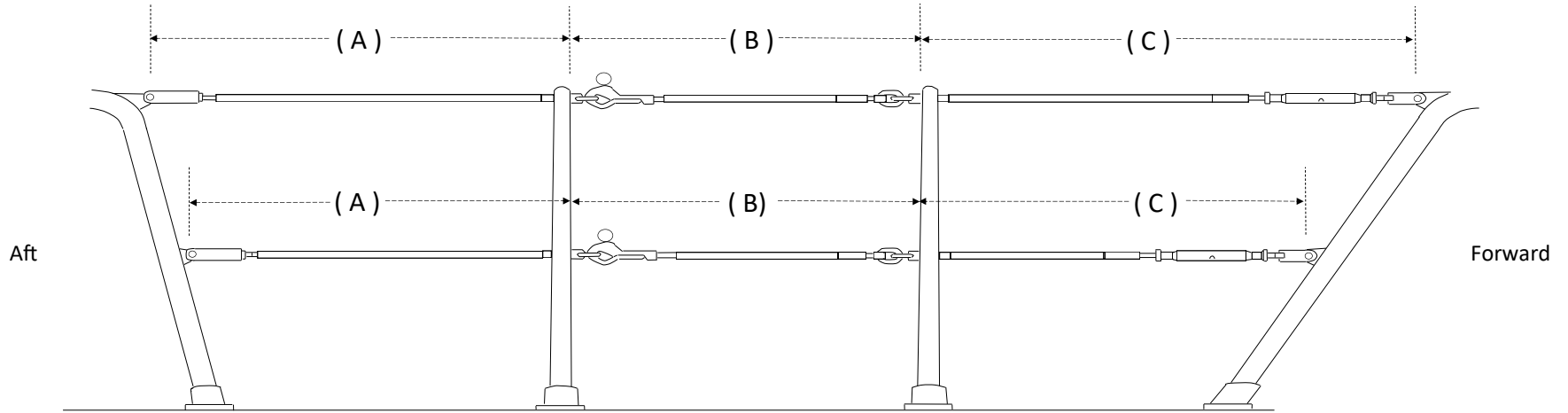
## No Gate



A = Distance from bearing surface of bow eye to the bearing surface of the stern eye.

		Wire Dia.	B Dimension	Notes/Part #'s
Top Wire	Starboard			
	Port			
Bottom Wire	Starboard			
	Port			

## Middle Gates



A = Distance from bearing surface of stern eye to the bearing surface on gate side of stanchion.

B = Distance from bearing surface on inside of gate stanchion to bearing surface on inside of gate stanchion.

C = Distance from bearing surface on gate stanchion to bearing surface on bow eye.

		Wire Dia.	B Dimension	C Dimension	D Dimension	Notes/Part #'s
Top Wire	Starboard					
	Port					
Bottom Wire	Starboard					
	Port					